



PerforMAX[®] IQ

STATIC CONTROL SYSTEM

PerforMAX IQ is the industry's best intelligent static control system designed to optimize static neutralization for various industrial applications. The PerforMAX IQ system ensures complete static control by providing constant self diagnostic information and offers several communication options for reporting system and performance data.

- Efficient neutralization up to 30" and speeds of 3,000 FPM
- Full communication interface capability via PC or PLC
- Downstream web charge recognition for complete quality control
- Also available in a hazardous location version





PerformMAX IQ Static Bar

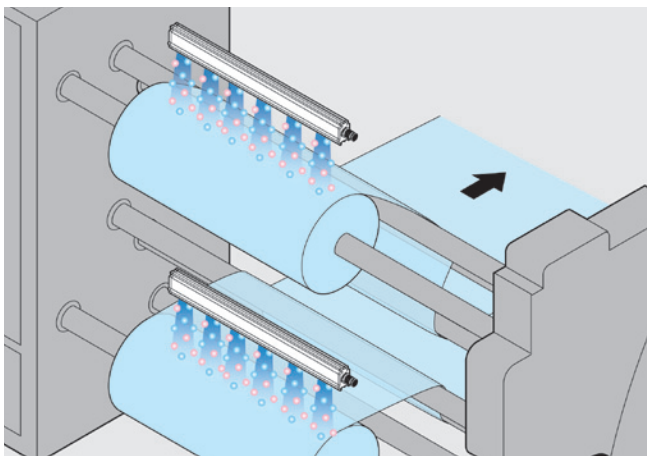
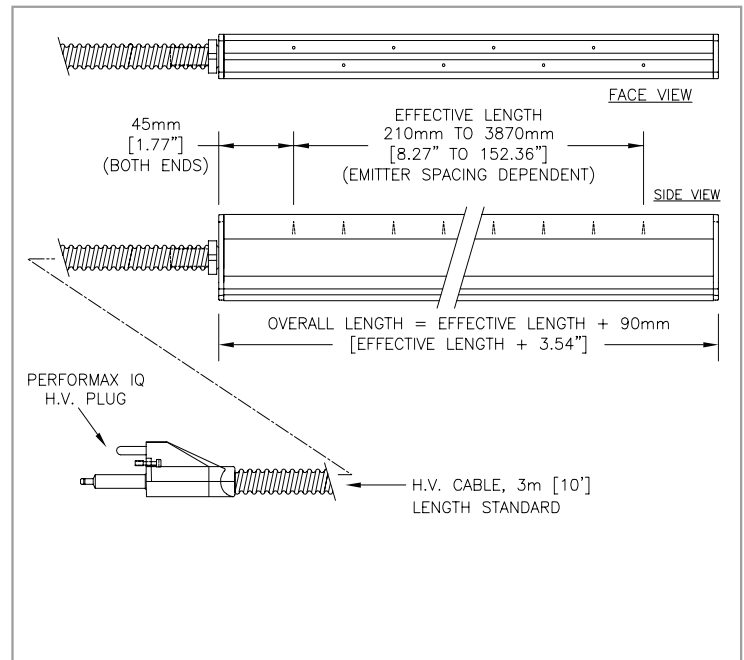
The rugged PerformMAX IQ Static Bars are tailored to the application to allow the user to install the optimum bar for their static neutralizing needs.

- **Speed bars** are optimized for high speed webs up to 3,000 fpm
- **Hybrid bars** are used where the web path is somewhat variable
- **Distance bars** operate at extended ranges up to 30" away

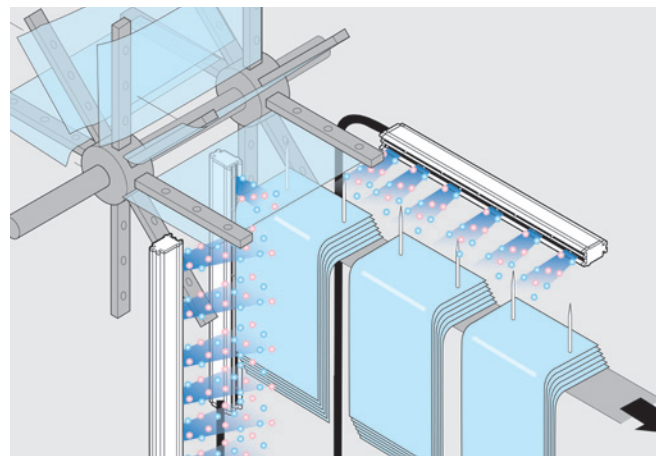
Specifications

| | | | |
|-----------------------------------|---|--------------------------|---------------------------|
| Max. Operating Voltage | +/-12kV | | |
| Weight | 1.8g/mm [0.10 lb/in] | | |
| Max. Operating Temperature | 176°F [80°C] | | |
| Max. Humidity | 70% RH, no dewing permissible | | |
| Housing | Glass-fiber-reinforced polyester | | |
| HV Conduit | Flexible non-metallic, black | | |
| Emitter Material | Proprietary alloy specially selected to extend pin life | | |
| Operating Distance | <u>Speed</u> | <u>Hybrid</u> | <u>Distance</u> |
| | 2-9" [50mm - 230mm] | 6-18" [150mm - 460mm] | 12-30" [300mm - 760mm] |
| Emitter Spacing | <u>Speed</u> | <u>Hybrid</u> | <u>Distance</u> |
| | 1.18" [30mm] | 3.54" [90mm] | 7.09" [180mm] |
| Approval | UL | | |

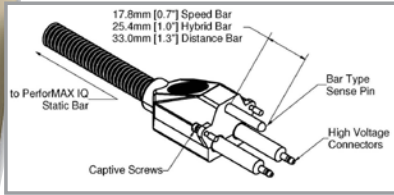
Dimensions



High Speed Web Application



Static Neutralization on a Wicketer



PerforMAX IQ Power Supply Connector

PerforMAX IQ Power Supply

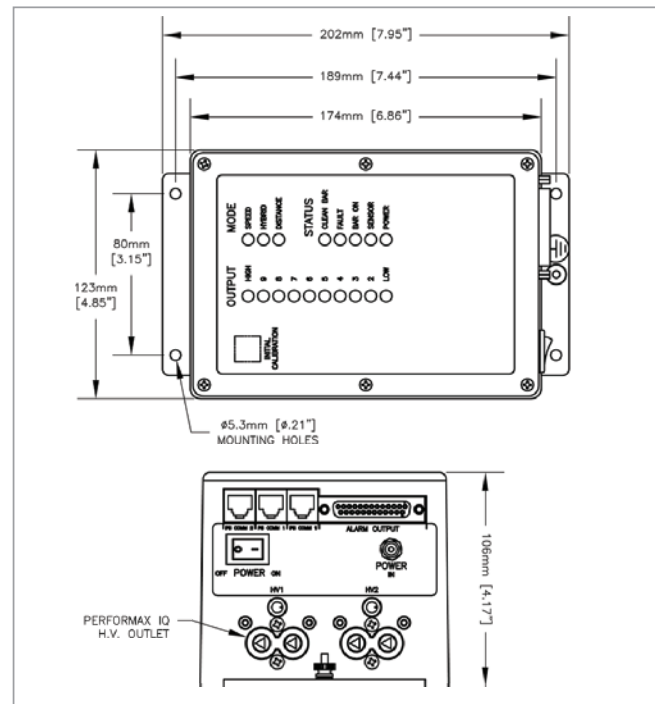
The BPS processes all of the system intelligence to maintain and communicate complete static control.

- Proprietary push-button calibration
- Ionization output monitor for viewing system performance
- Proprietary high voltage connector system
- LED indicators for power, clean bar, fault, and web sensor identification

Specifications

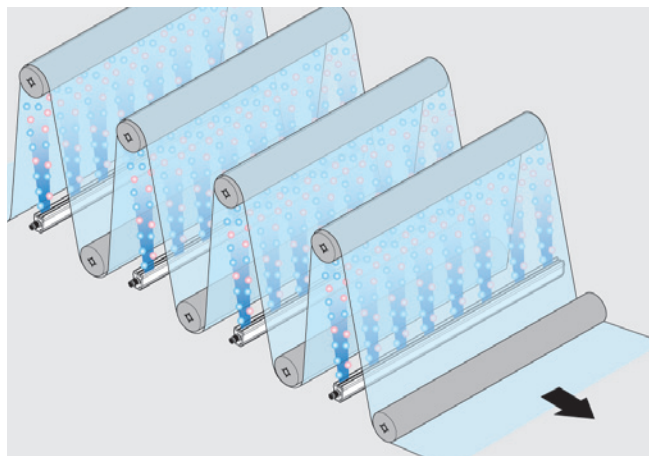
| | |
|-------------------------|---|
| Input Power | 24vDC, 1.5A from AC adapter |
| Output Voltage | +/-7kV "Speed Bar" +/-9kV "Hybrid Bar" +/-12kV "Distance Bar" |
| Weight | 4.28 lbs. [1.94 kg] |
| Max Operating Temp | 110°F [43°C] |
| High Voltage Connectors | 2 proprietary PerforMAX IQ static bar outlets |
| Approval | UL, CE |

Dimensions

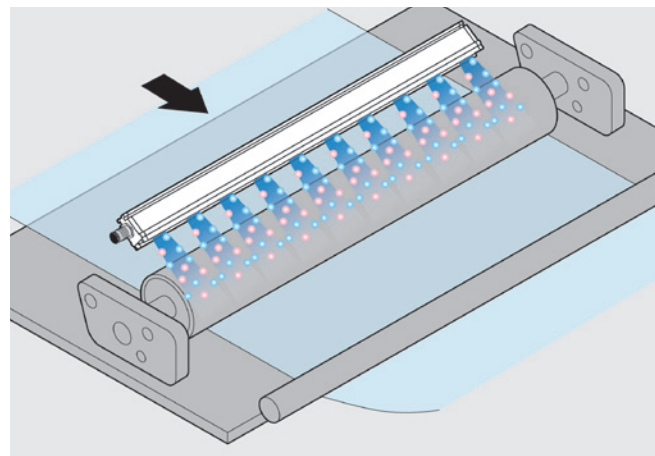


Loading Capacity of the PerforMAX IQ BPS

| Total Effective Length of Bars (in) | Total Cable Length (ft) |
|-------------------------------------|-------------------------|
| up to 50 | 100 |
| 51 to 100 | 90 |
| 101 to 125 | 85 |
| 126 to 150 | 80 |
| 151 to 200 | 70 |
| 201 to 250 | 60 |
| 251 to 275 | 55 |
| 276 to 300 | 50 |



Removing Static on an Accumulator



Roller Application

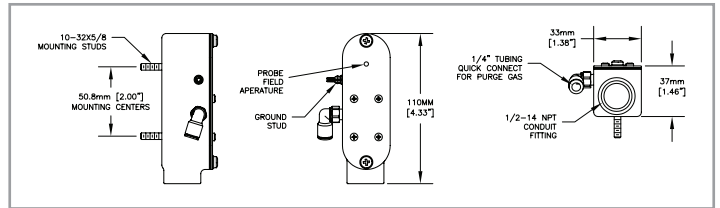
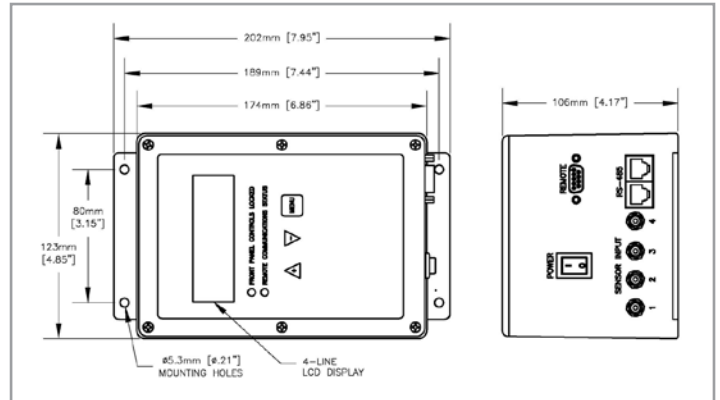


PerforMAX IQ Web Monitor

The PerforMAX IQ Web Monitor is an innovative tool used to install a closed-loop, total control ionization system in a production environment.

- Downstream charge recognition and display
- Capable of powering 4 sensor probes
- Programmable alarm thresholds
- Proprietary dual axis feedback control

Dimensions



Specifications

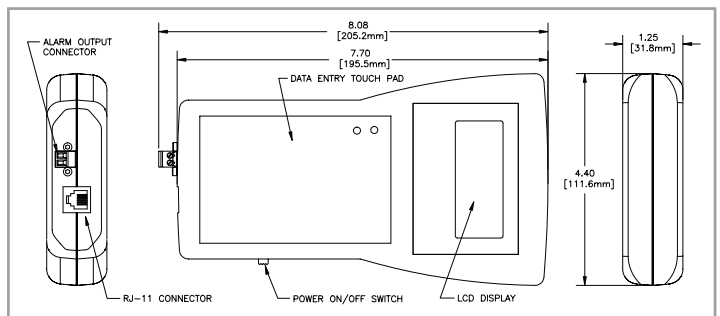
| | |
|-----------------------|---|
| Input Power | 24VDC, 0.25A from PerforMAX IQ system |
| Probe Quantity | Total 4 probes maximum/Web monitor |
| Weight | 2.48 lbs. [1.12 kg] |
| Max Operating Temp | 110° F [43° C] |
| Housing | Aluminum, black epoxy powder coated |
| Approval | UL |
| Sensor Probe | |
| Input Power | From intrinsic safety barrier |
| Operating Distance | 1" [25mm] 2" [50mm] 3" [75mm] firmware selectable |
| Installation Location | Downstream of IQ static bar |
| Purge Connection | 1/4" tube quick connect |
| Purge Flow | 0.14 m3lh [5CFM] clean, dry air |
| Weight | .048 lbs. [0.22 kg] |
| Max Operating Temp | 110° F [43° C] |
| Housing | Aluminum and stainless steel |
| Approval | UL |

PerforMAX IQ Remote Monitor

The PerforMAX IQ system offers a Remote Monitor that displays real-time key operating conditions of the IQ bars.

- Capable of hooking up 12 BPS Power Supplies
- Displays web monitor data (if attached)

Dimensions



Specifications

| | |
|--------------------|---|
| Weight | .65 lbs. [.29 kg] |
| Enclosure Material | Impact resistant ABS |
| Cable Length | Interface Remote 120" Power supply to Interface 300" |



PerforMAX IQ Communication Module

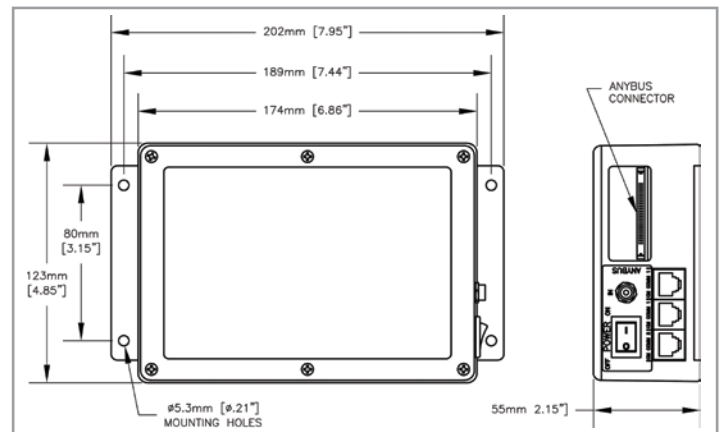
The PerforMAX IQ Communication Module creates a remote computer interface link to provide a comprehensive real-time summary of performance and system alarm data.

- Creates interface link between PLC or PC
- Available in a variety of standard communication protocols
- Software provided to log operating data

Specifications

| | |
|-----------------------------|--|
| Input Power | 24VDC, 1.0A from PerforMAX IQ (BPS) System/ AC adapter |
| Communication Module | Anybus CompactCom, see Replacement Parts/ Additional Items section of manual for protocols available |
| Weight | 1.70 lbs [0.77 kg] |
| Max Operating Temp | 110° F [43° C] |
| Housing | Aluminum, black epoxy powder coated |
| Approval | UL, CE |

Dimensions



PerforMAX IQ Splitter Box

The Splitter Box offers the opportunity to maximize the potential of the PerforMAX IQ system.

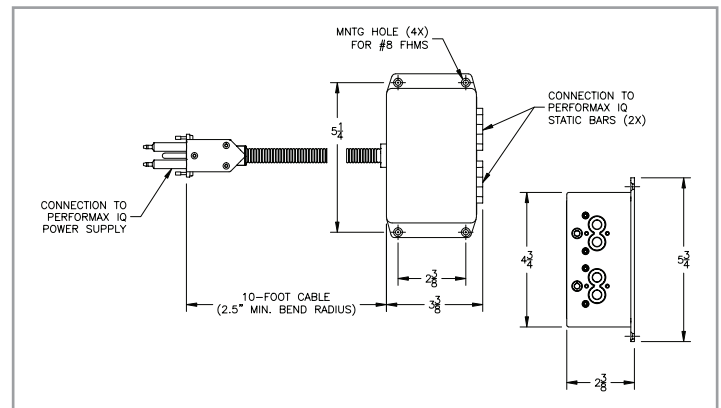
- Allows up to four static bars to hook to a single power supply
- Ideal for installations with cable load or length restrictions
- Available for speed, hybrid or distance applications



Specifications

| | |
|---------------------------|---------------------|
| Weight | 1.5 lbs. [0.7 kg] |
| Enclosure Material | Flame retardant ABS |
| Cable Length | 10 ft. [3m] |
| Approval | UL |

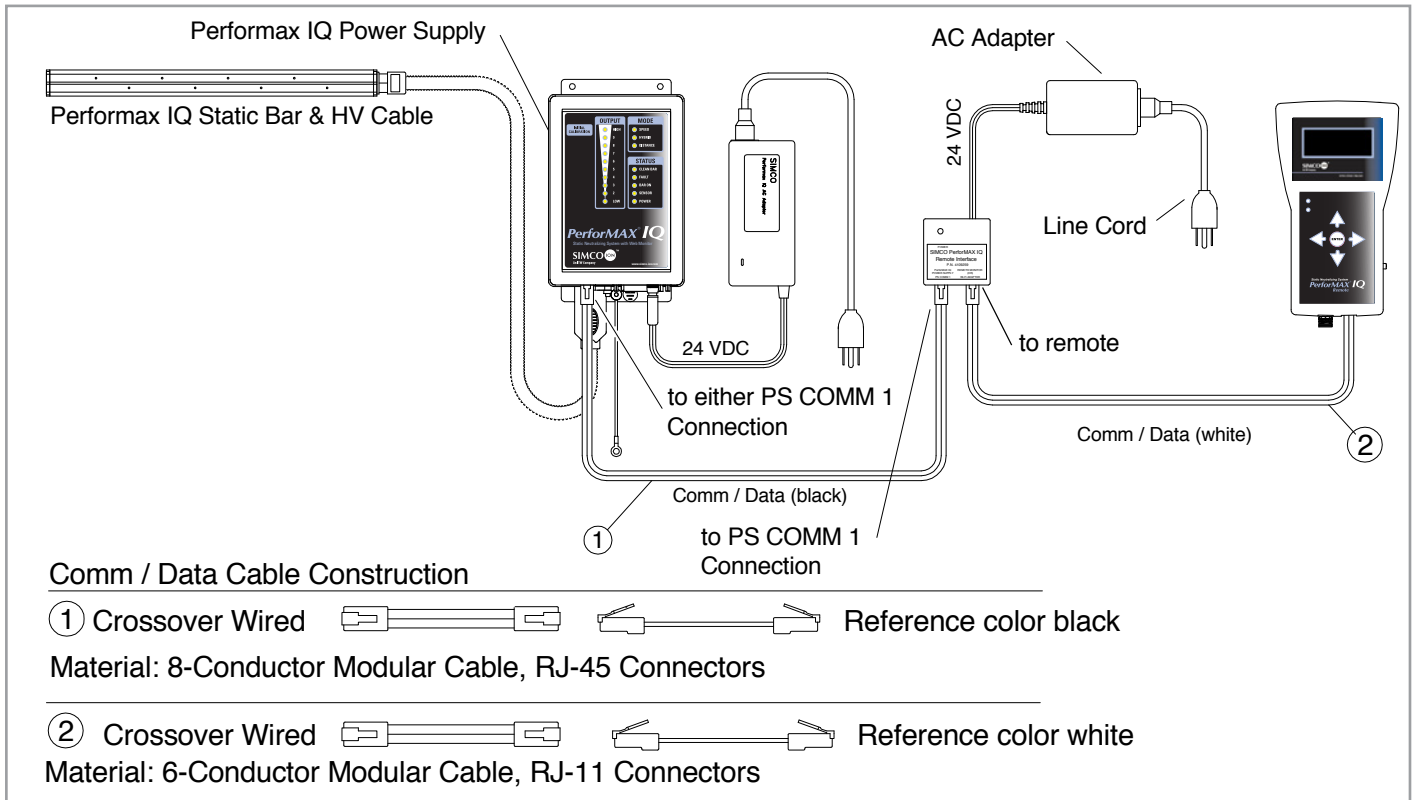
Dimensions



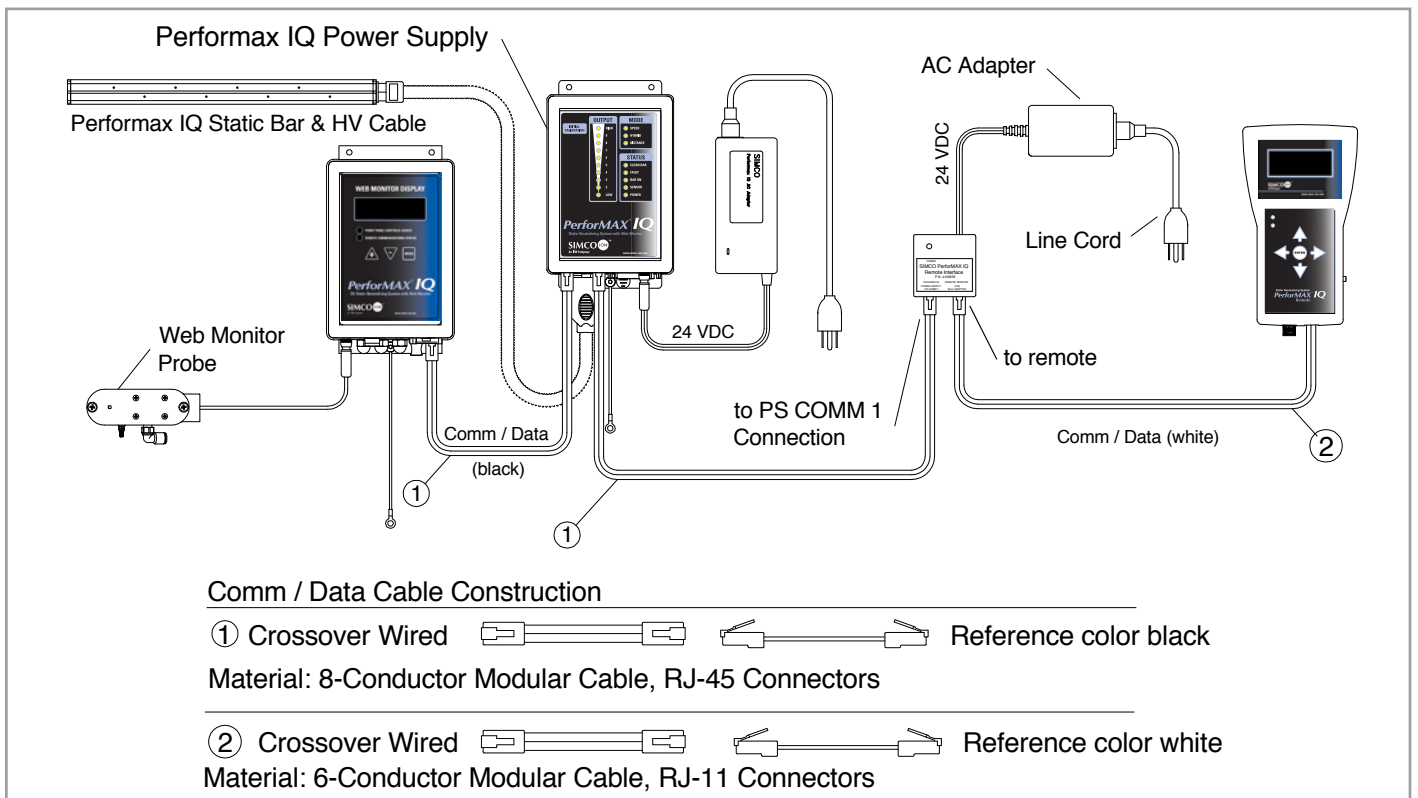


System Configurations

PerforMAX IQ Basic Configuration

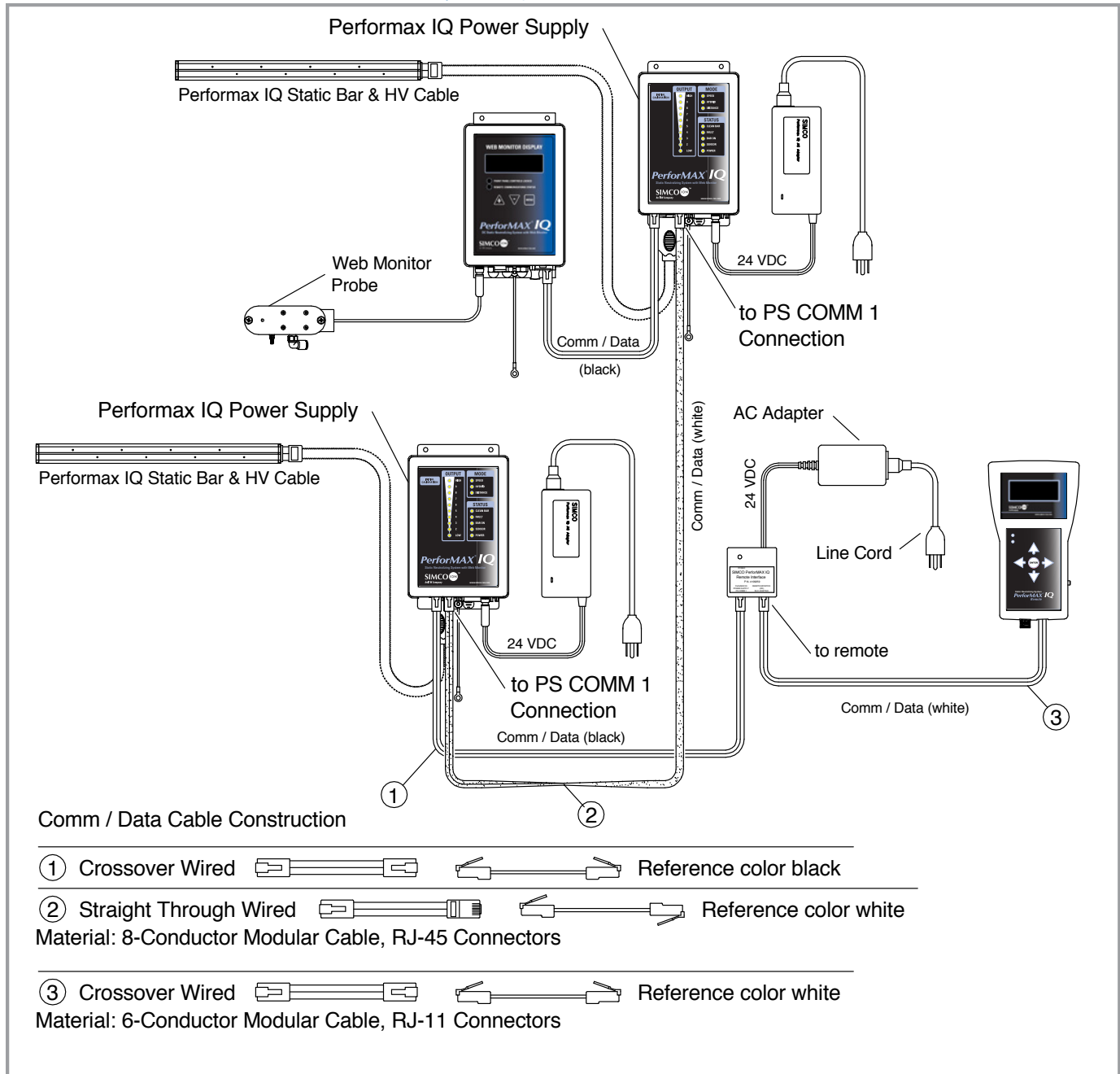


PerforMAX IQ Web Probe Configuration



System Configurations

PerforMAX IQ Multiple Basic Power Supply Configuration





An ITW Company

P/N: 5201073 Rev. F
© 2011 Simco-Ion – All rights reserved.
Specifications are subject to change without notice.

Simco-Ion

2257 North Penn Road
Hatfield, PA 19440-1998
Tel: 800.203.3419 (in USA)
Tel: 215.822.6401
customerservice@simco-ion.com
www.simco-ion.com

w o r l d w i d e l e a d e r s i n s t a t i c c o n t r o l