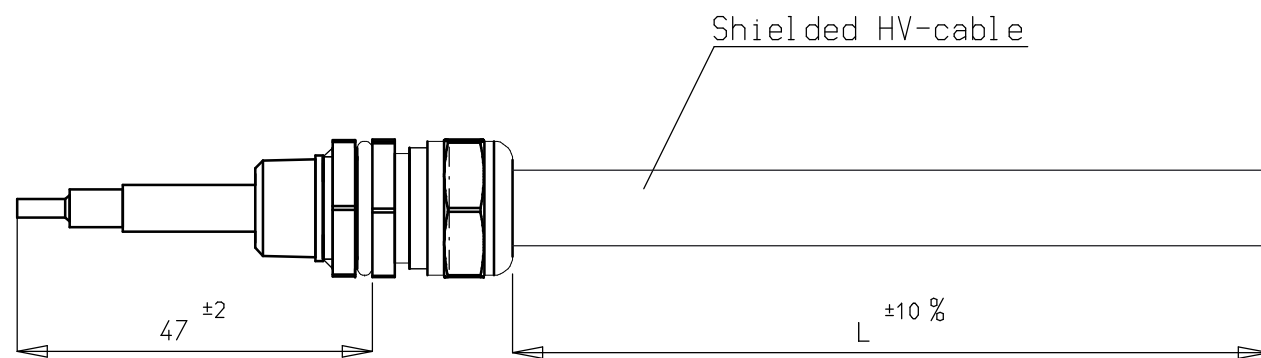
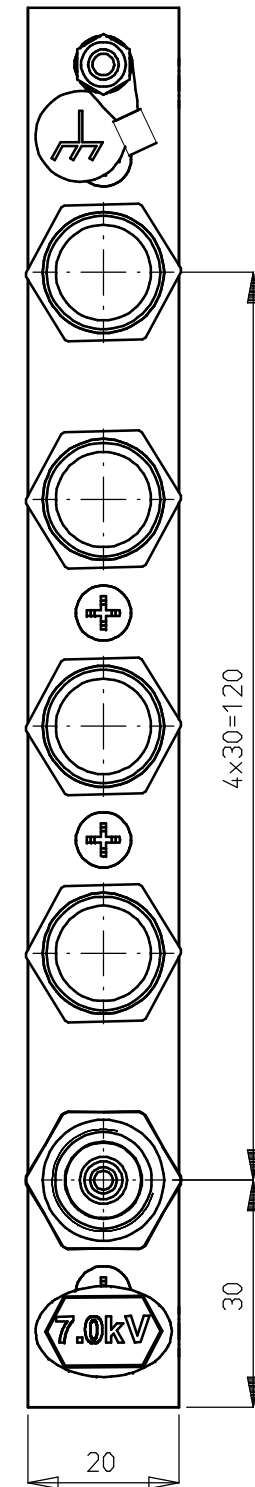
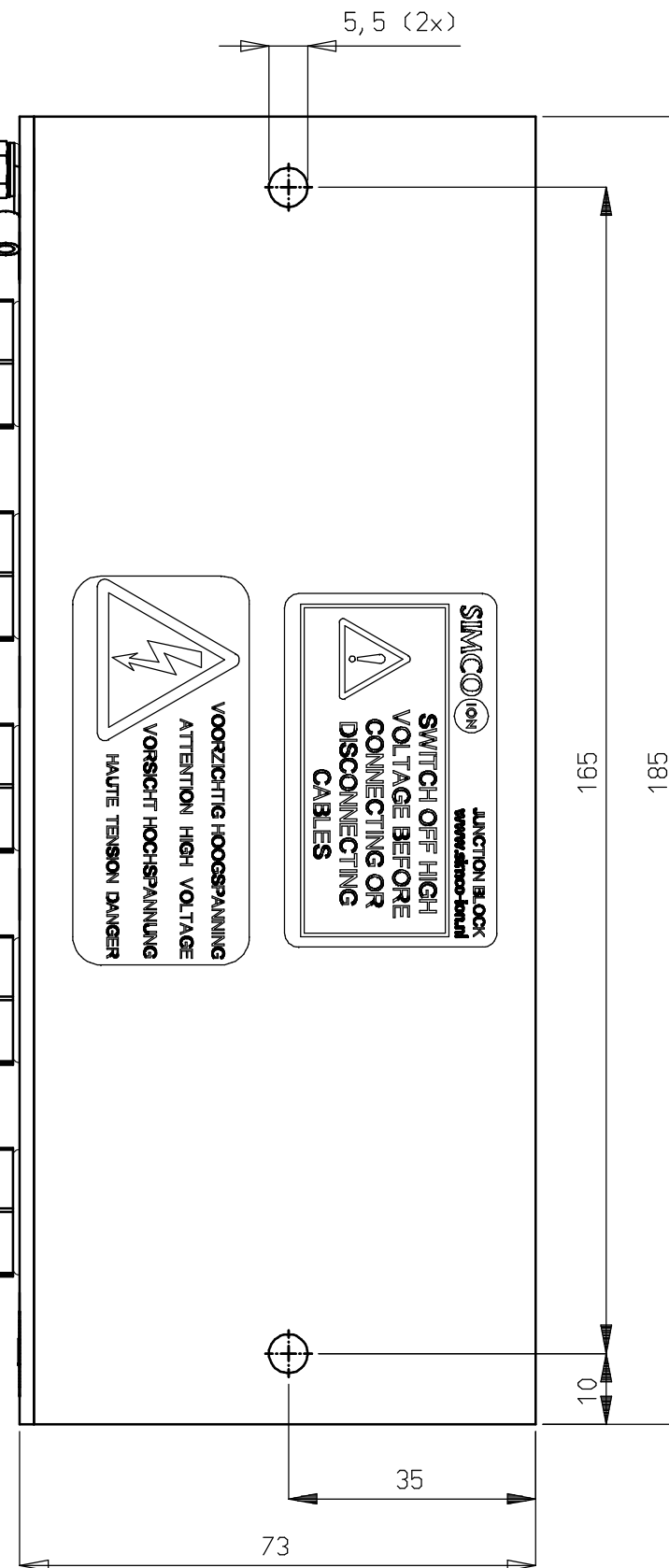


4x output for shielded HV-cable (4-7 kV)



Shielded HV-cable



 An ITW Company	Name: Junction block 4 pos. 4-7 kV, shielded HV-cable				Drawn: AB	Part no.: 216041----
	CAD generated NOT updated	Dimensions in mm	Date: 08-05-2008	A3 M: 1:1	ECN2011-070	Check: -