

External Control Kit Perfomaster



Simco-Ion Netherlands
POBox 71, NL-7240 AB, LOCHEM - Netherlands
Telephone: +31(0)573 288333 Fax: +31(0)573 257319
general@simco-ion.nl
www.simco-ion.nl

Reference number	Reference name	Customer	Revision	Revision date	Page
9752093220	External Control Kit Perfomaster Quick Manual	Simco-Ion	0.6	01-08-2013	1 / 1

The Perfomaster External Control Kit consists of a control PCB and a separate LED for mounting in a panel of a control cabinet. It is used to control the high voltage of the Perfomaster and to indicate and to put through an output pulse from the Perfomaster to a PLC.

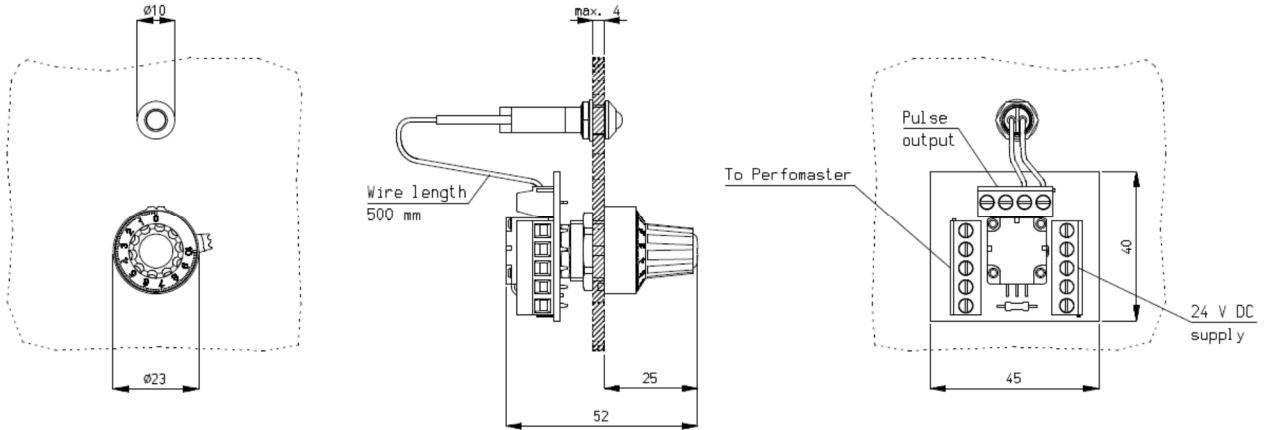


Figure 1: External Control Kit dimensions

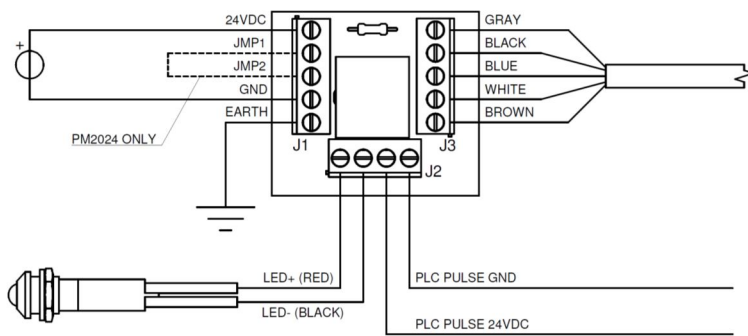


Figure 2: External Control Kit dimensions

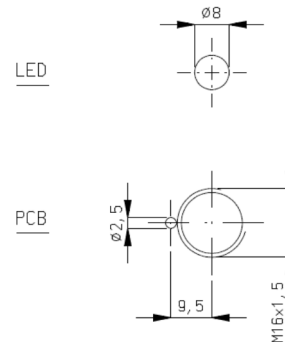
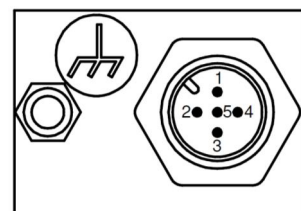


Figure 3: Panel cut-out

Wiring instructions:

- Only when a PM2024 Perfomaster is used: place a wire between JMP1 and JMP2 (connector J1). Do not place this wire when a PM2010 Perfomaster is used.
 - Connect 24VDC and GND (connector J1) to a power supply (21 - 27V DC, min. 0,5 A).
 - Connect EARTH (connector J1) to guaranteed earthing point.
 - Connect the Perfomaster to connector J3.
 - Connect the provided LED to connector J2.
 - Connect the PLC input to connector J2.
- The +24 V DC pulse duration when a spark-over occurred is 15 ms. The PLC detector output can deliver max. 30 mA.



Pin	Name	Colour
1	24 V DC	Brown
2	Detector +	White
3	0 V / GND	Blue
4	Detector -	Black
5	V _{set}	Green/Yellow - Gray

Figure 4: Perfomaster connections