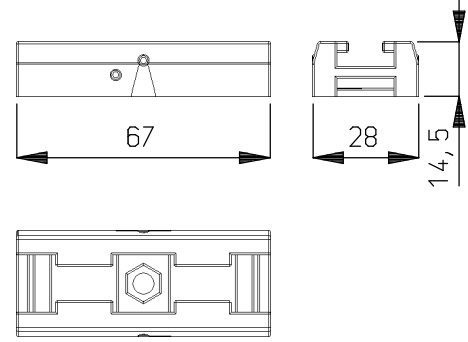
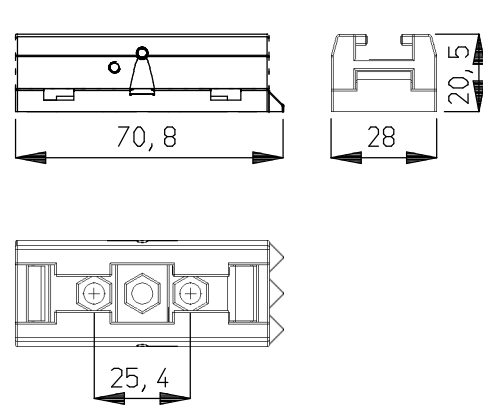


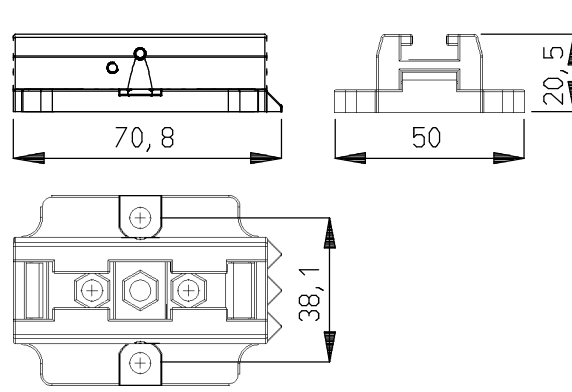
Option 3 (fixed bracket)



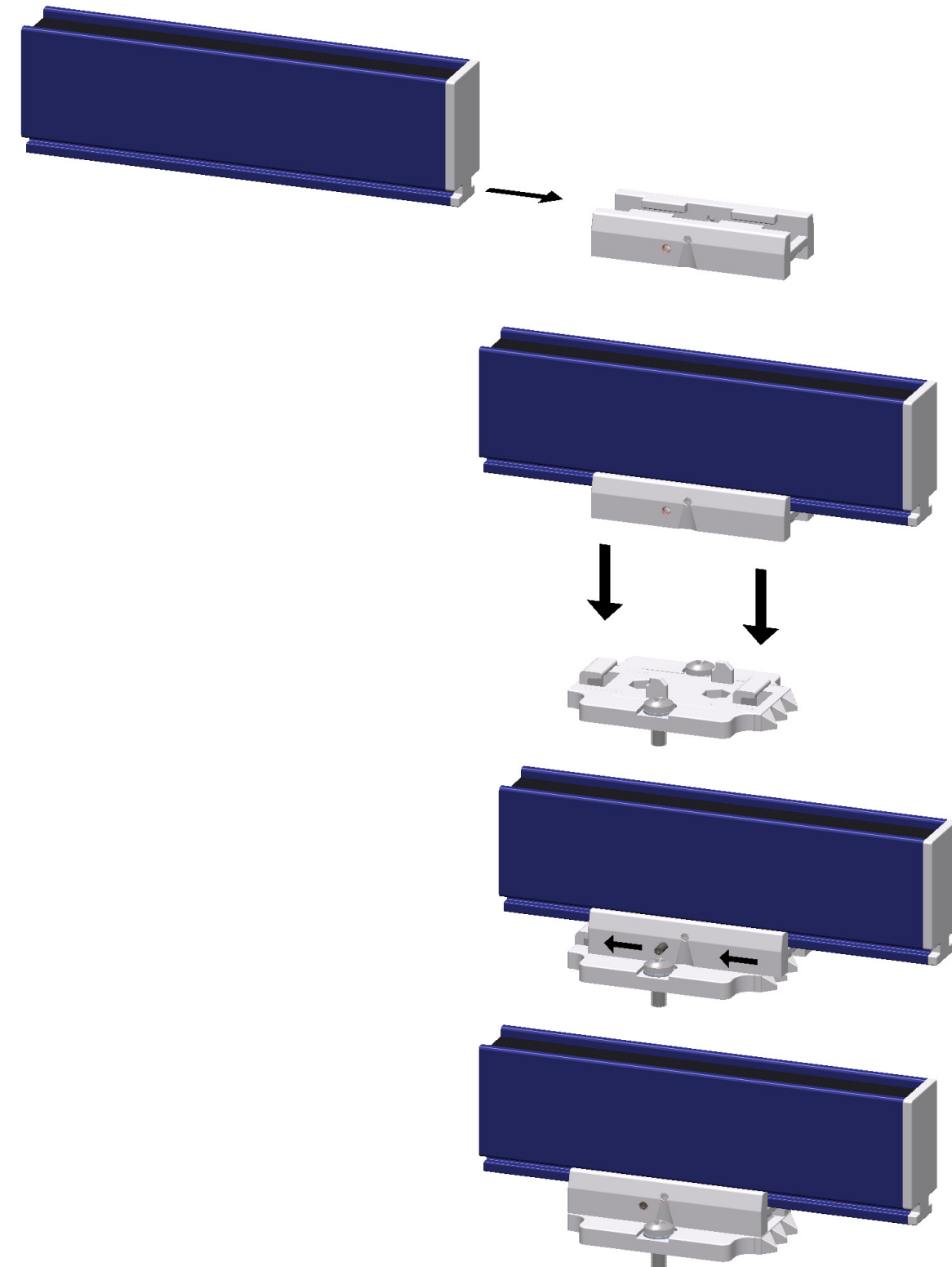
Option 2 (slide bracket)



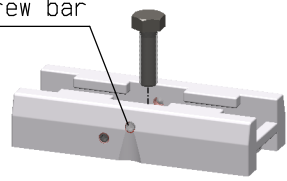
Option 1 (slide bracket)



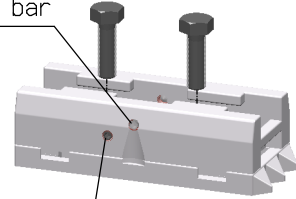
Example: Anti Static Bar easily slided on bracket



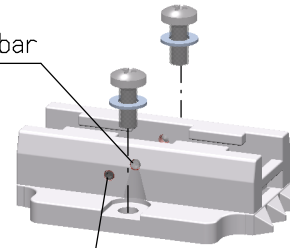
locking screw bar



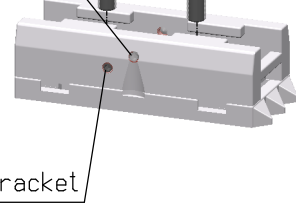
locking screw bar



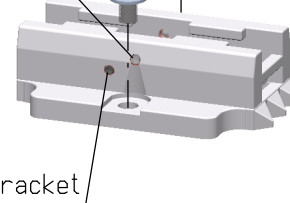
locking screw bar



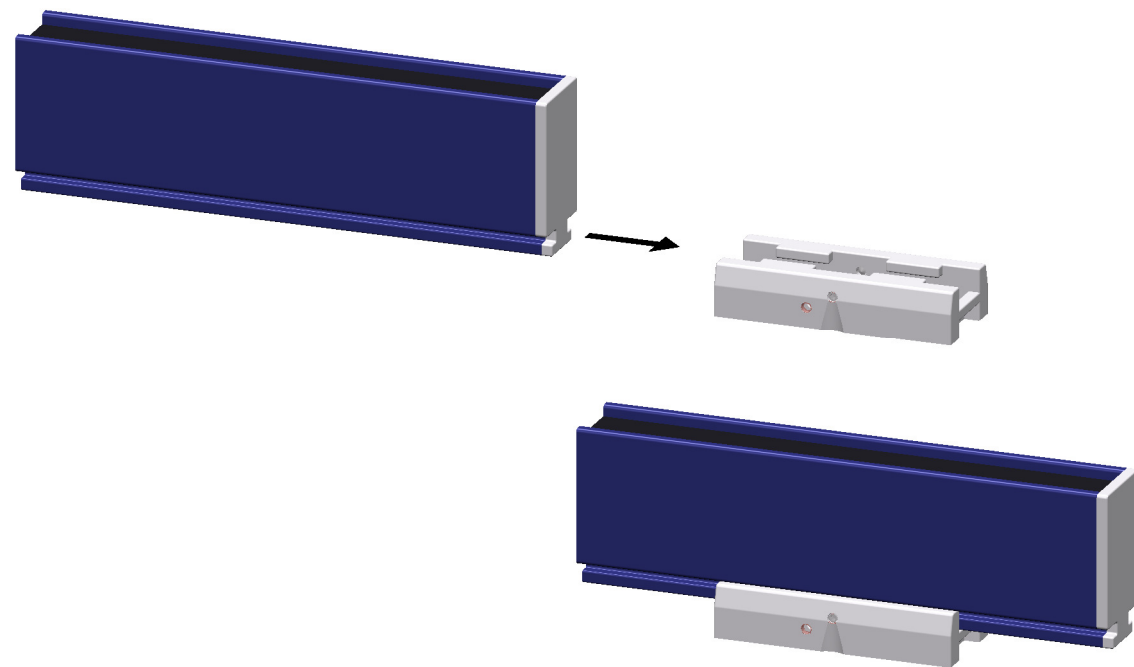
locking screw bracket





locking screw bracket



Example: total Anti Static Bar to be slided on fixed bracket



Mounting bolts or screws M5 (not included)
(type depending on option)

 An ITW Company www.simco-ion.nl Tel: +31 (0)573 288333	Name: Bracket Bars, mounting options					Drawn: MVN	Part no.: 4532000100
	CAD generated NOT updated	Dimensions in mm	Date: 15-10-2012	A3	M: 1:1	 ECN2013-032	Check: -