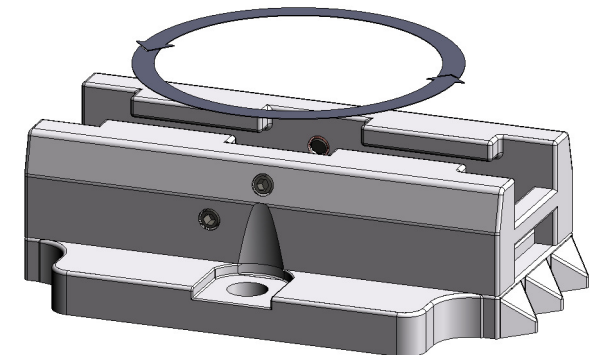
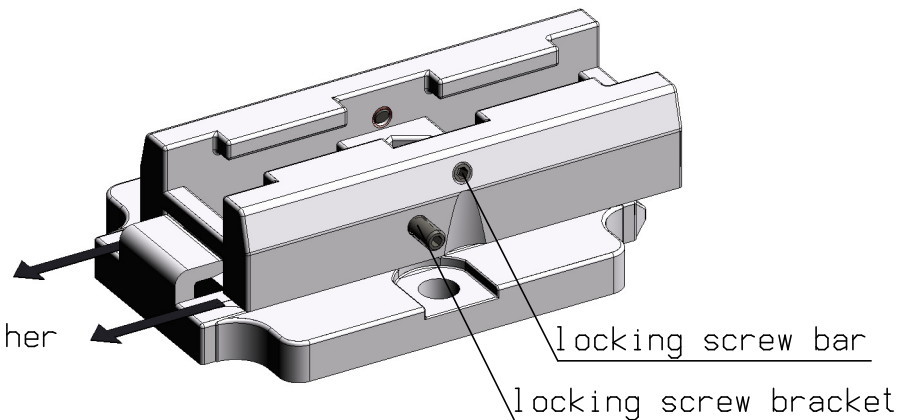



with slight resistance to compression, fit exactly.  
(mounting by hand, disassembled by hand)

Bracket bar 180°, both sides slide on mounting piece



|   |                                      |  |   |                  |         |             |                    |           |            |             |              |              |
|---|--------------------------------------|--|---|------------------|---------|-------------|--------------------|-----------|------------|-------------|--------------|--------------|
| Roughness acc. to ISO 1302  | Dimensions tolerated acc. to ISO 129 | Tolerances of form and position acc. to ISO 1101 | Dimensions in mm.   | -                | -       | -           | -                  | -         | -          |             |              |              |
| <br><b>SIMCO ION</b> <sup>TM</sup><br>An ITW Company<br>www.simco-ion.nl Tel: +31 (0)573 288333 |                                      |  | (XX)<br>Control dim.<br>Copyright ©<br>SIMCO (Nederland) BV | Rev. Description |         |             |                    |           |            | Chk.        | Date         |              |
|   |                                      |  |   | Range (mm)       | 0,5 - 3 | >3 - 6      | >6 - 30            | >30 - 120 | >120 - 315 | >315 - 1000 | >1000 - 2000 | >2000 - 4000 |
|   |                                      |  |   | middle           | ±0,1    | ±0,1        | ±0,2               | ±0,3      | ±0,5       | ±0,8        | ±1,2         | ±2           |
|   |                                      |  |   | rough            | ±0,15   | ±0,2        | ±0,5               | ±0,8      | ±1,2       | ±2          | ±3           | ±4           |
| Name: Instruction drawing Bracket Bars  |                                      |  |   | Drawn: MVN       |         | Part no.: — |                    |           |            |             |              |              |
| CAD GENERATED NOT AUTOMATICALLY UPDATED   |                                      | Date: 15-10-2012                                 | M: 1:1  | A4               | ⊕       | Check:      | Dwg. no.: 15324415 |           |            |             |              |              |