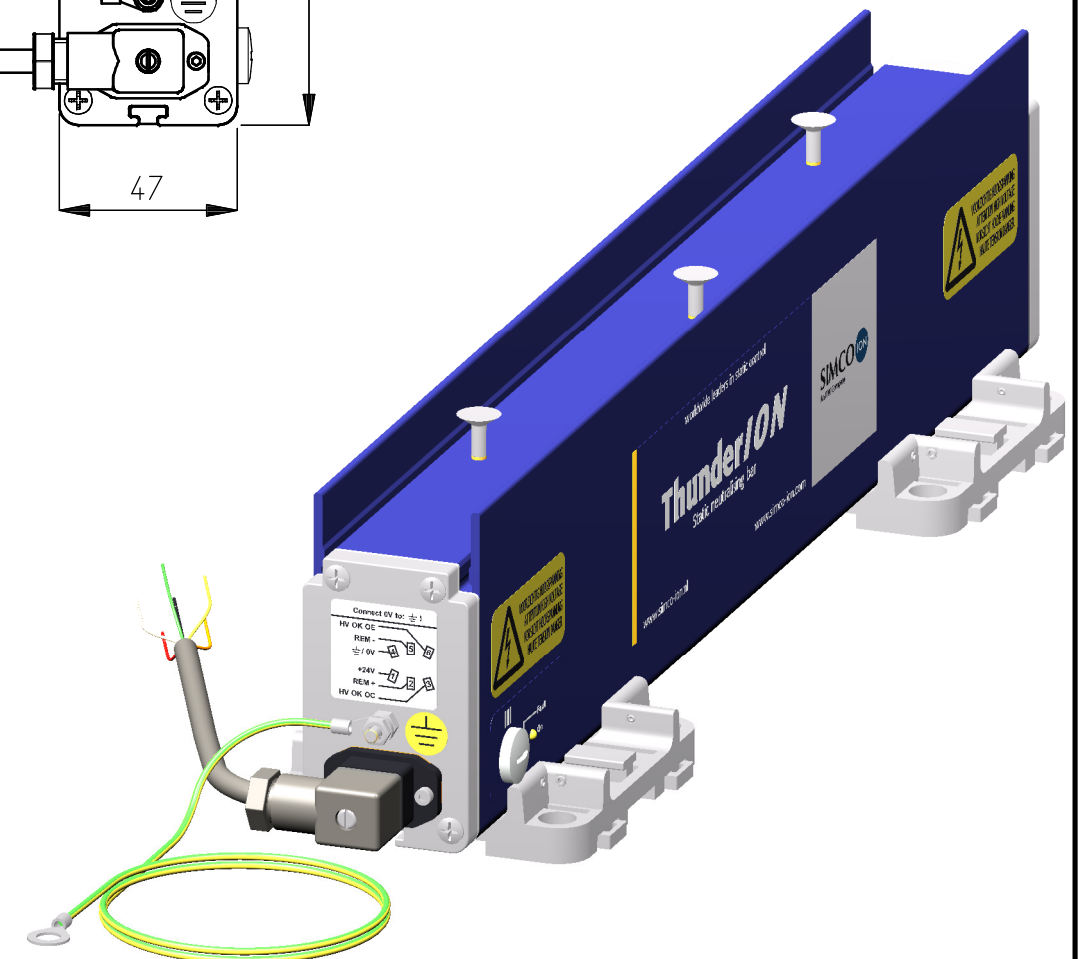
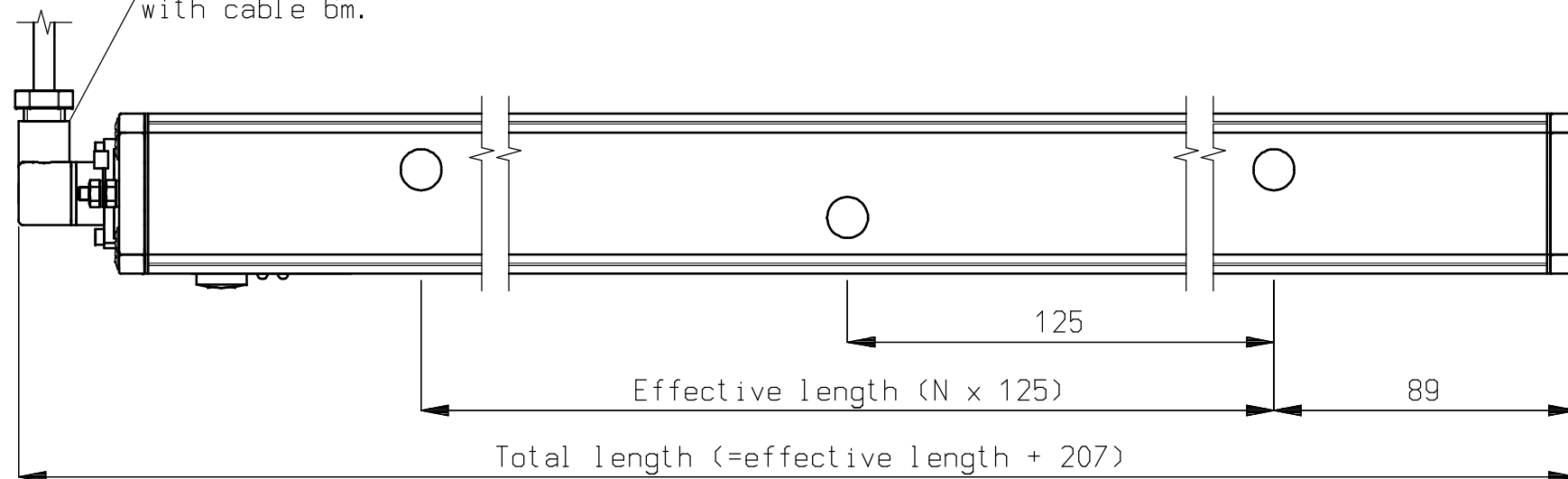


Optional: Connector 24V DC
with cable 6m.



- Mounting options see drawing 15100010
- Overview options and connectors see drawing 15106000

<p>SIMCO ION™ An ITW Company www.simco-ion.nl Tel: +31 (0)573 288333</p>	Name: Static Neutralizing Bar ThunderION (with emitter, plug)				Drawn: MVN	Part no.: 1510-
	CAD generated NOT updated	Dimensions in mm	Date: 22-11-2010	A3 M: 1:2	ECN2011-070	Check: -