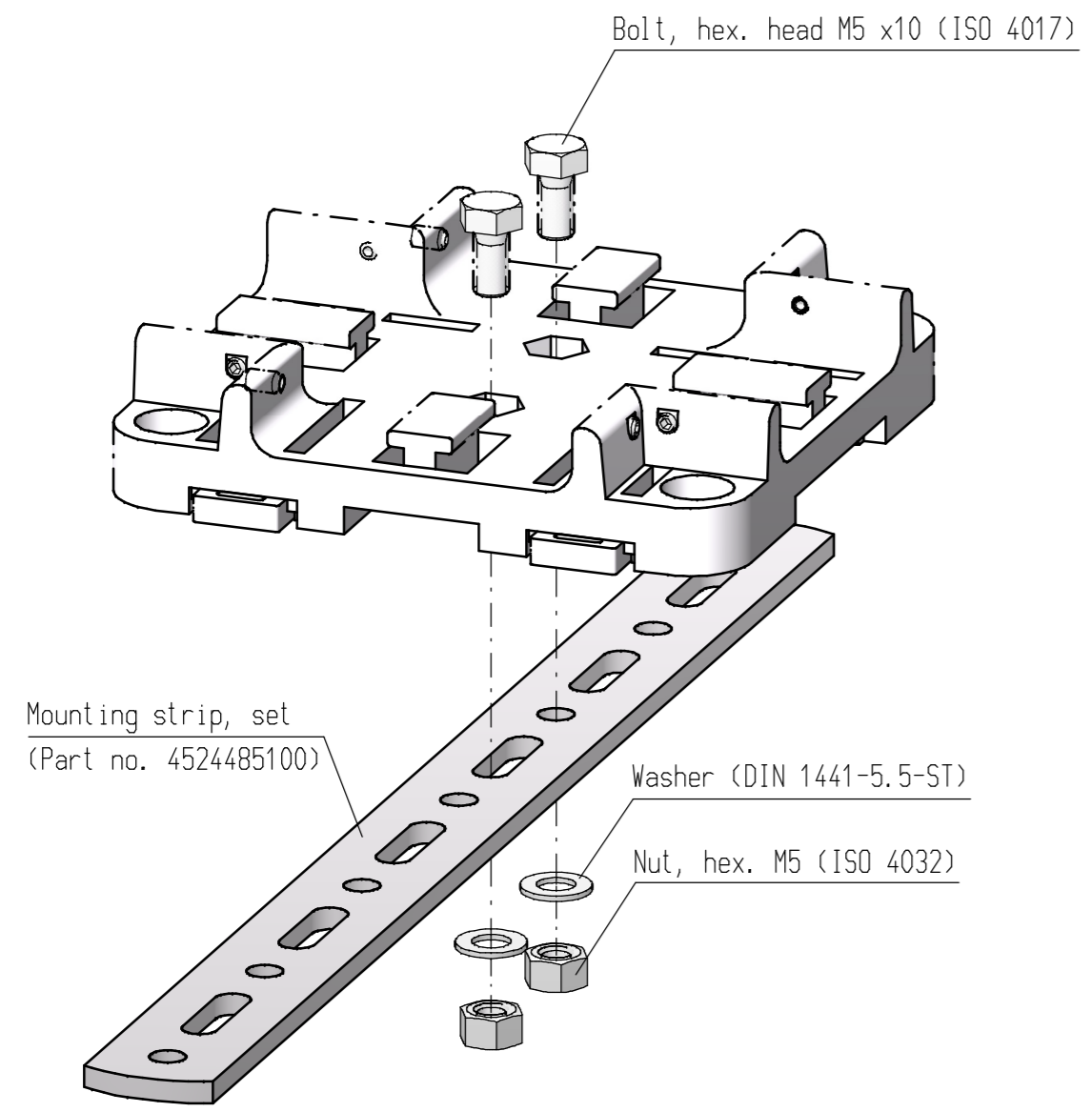


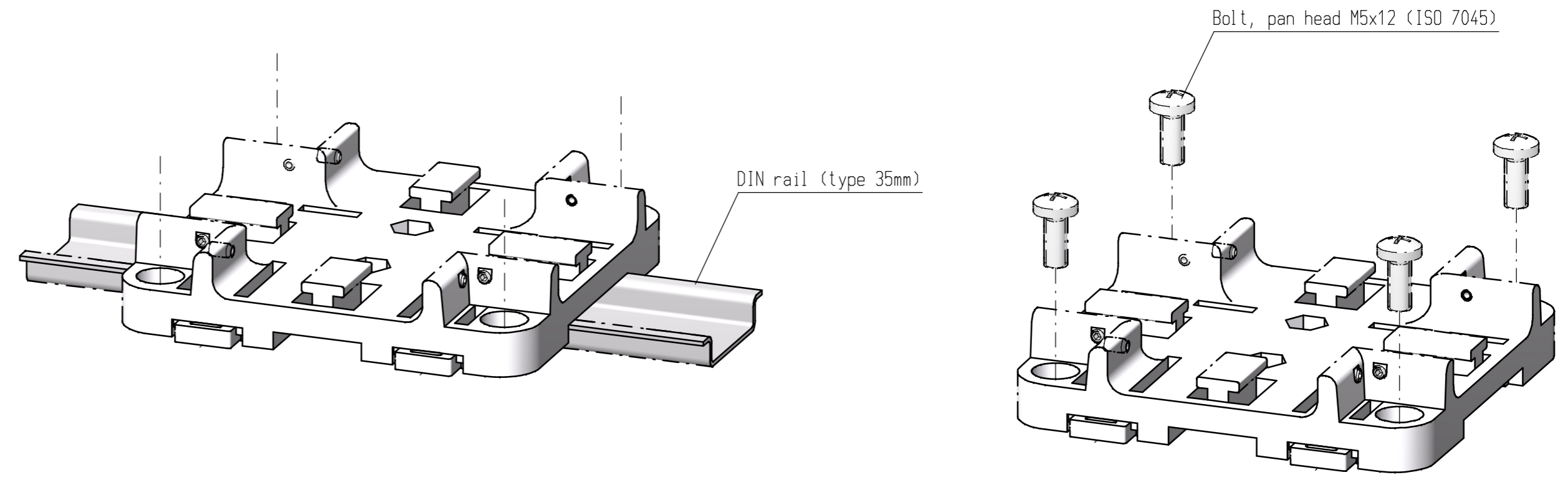
Screw, set M3x5 (DIN 916)
(8x)
Bracket
(Part no. 7510900155)

Locking plate (2x)
(Part no. 7510900156)

3D view



OPTION



APPLICATION EXAMPLES